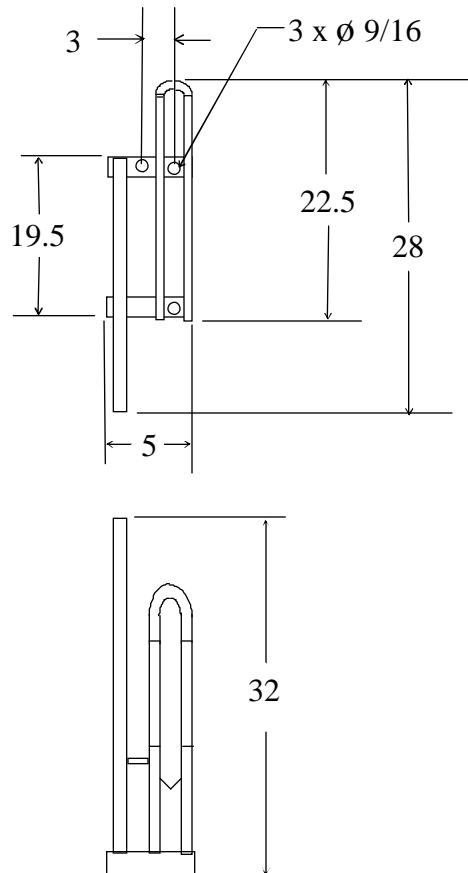




Specifications

1-bike Capacity: Minimum Footprint with Bike Inserted: 24" x 72"
 Campus Standard 18 Lbs (allows 10" on each side for handlebars)



Materials	Finish	Installation
Hot rolled ASTM A36 solid steel bars welded with GMAW (MIG). Standard Base: 1/8" angle Heavy Base: 3/16" angle Wheel Holders: 1/2" diameter Wheel Troughs: 1/8" angle Locking Bars: 5/8" diameter	Standard finish is Hot Dipped Galvanized for superior durability. Optional powder coat is available with sand blasting, primer, color and clear coat (for additional cost).	This rack must be secured on concrete with two tamper-resistant stainless steel anchors. (available from Peak Racks)



Specifications

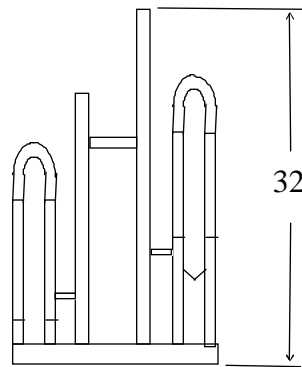
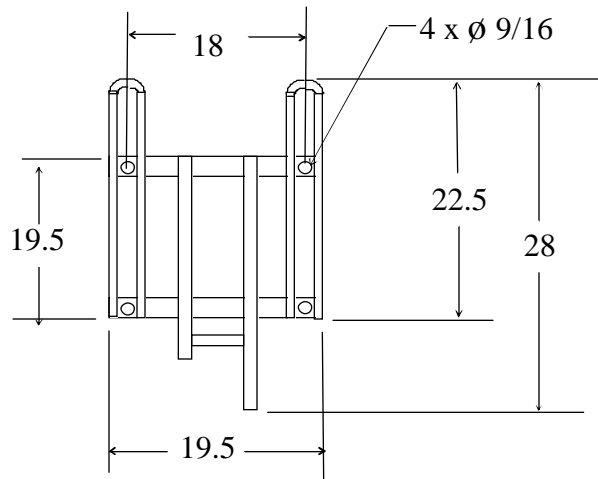
2-bike Capacity: Minimum Footprint with Bikes Inserted: 44" x 72"

Campus Standard 33 Lbs

(allows 12" on each side for handlebars)

Rack with Plaque 41 Lbs

Rack with Plaque Heavy Duty Base 43 Lbs



Materials	Finish	Installation
Hot rolled ASTM A36 solid steel bars welded with GMAW (MIG). Standard Base: 1/8" angle Heavy Base: 3/16" angle Wheel Holders: 1/2" diameter Wheel Troughs: 1/8" angle Locking Bars: 5/8" diameter	Standard finish is Hot Dipped Galvanized for superior durability. Optional powder coat is available with sand blasting, primer, color and clear coat (for additional cost).	This rack is free standing and can function without mounting, however, it is recommended that it be secured on concrete with four tamper-resistant stainless steel anchors. (available from Peak Racks)



Specifications

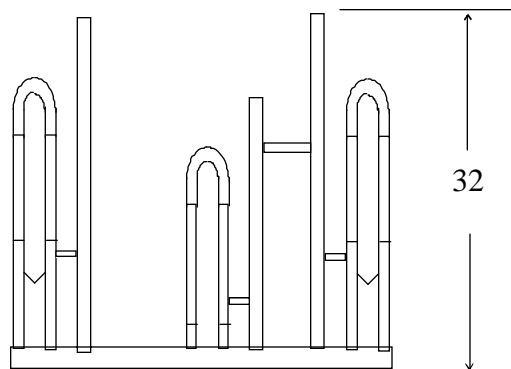
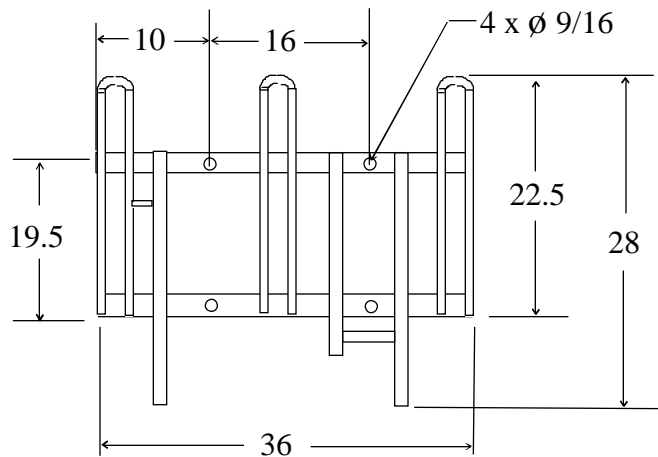
3-bike Capacity: Minimum Footprint with Bikes Inserted: 60" x 72"

Campus Standard 48 Lbs

(allows 12" on each side for handlebars)

Rack with Plaque 62 Lbs

Rack with Plaque Heavy Duty Base 66 Lbs



Materials	Finish	Installation
Hot rolled ASTM A36 solid steel bars welded with GMAW (MIG). Standard Base: 1/8" angle Heavy Base: 3/16" angle Wheel Holders: 1/2" diameter Wheel Troughs: 1/8" angle Locking Bars: 5/8" diameter	Standard finish is Hot Dipped Galvanized for superior durability. Optional powder coat is available with sand blasting, primer, color and clear coat (for additional cost).	This rack is free standing and can function without mounting, however, it is recommended that it be secured on concrete with four tamper-resistant stainless steel anchors. (available from Peak Racks)



Specifications

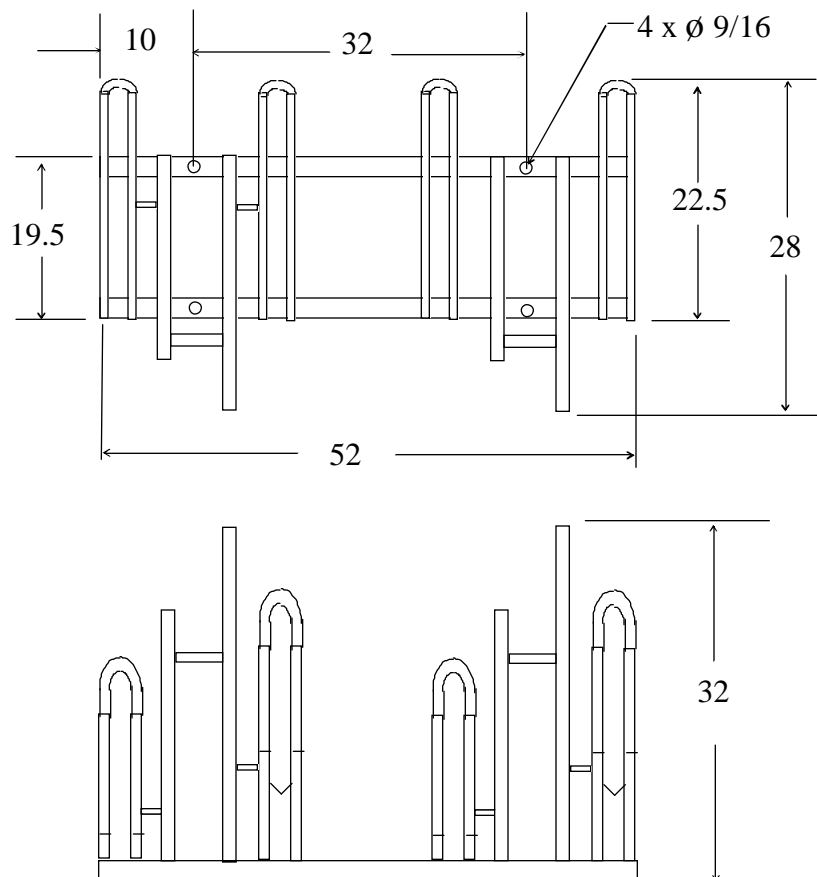
4-bike Capacity: Minimum Footprint with Bikes Inserted: 76" x 72"

Campus Standard 68 Lbs

(allows 12" on each side for handlebars)

Rack with Plaque 81 Lbs

Rack with Plaque Heavy Duty Base 86 Lbs



Materials	Finish	Installation
Hot rolled ASTM A36 solid steel bars welded with GMAW (MIG). Standard Base: 1/8" angle Heavy Base: 3/16" angle Wheel Holders: 1/2" diameter Wheel Troughs: 1/8" angle Locking Bars: 5/8" diameter	Standard finish is Hot Dipped Galvanized for superior durability. Optional powder coat is available with sand blasting, primer, color and clear coat (for additional cost).	This rack is free standing and can function without mounting, however, it is recommended that it be secured on concrete with four tamper-resistant stainless steel anchors. (available from Peak Racks)



Specifications

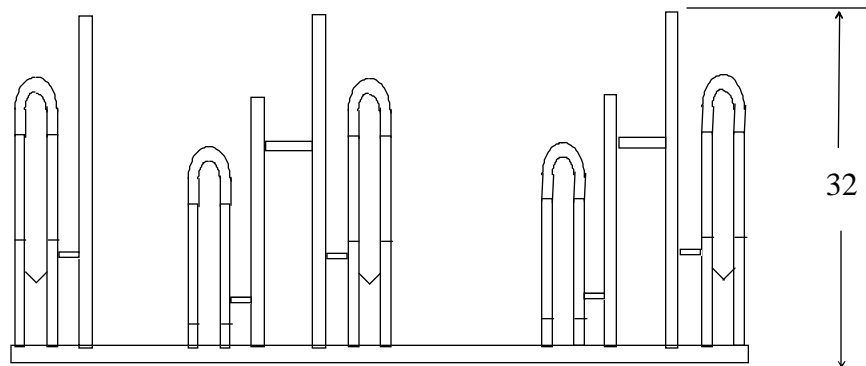
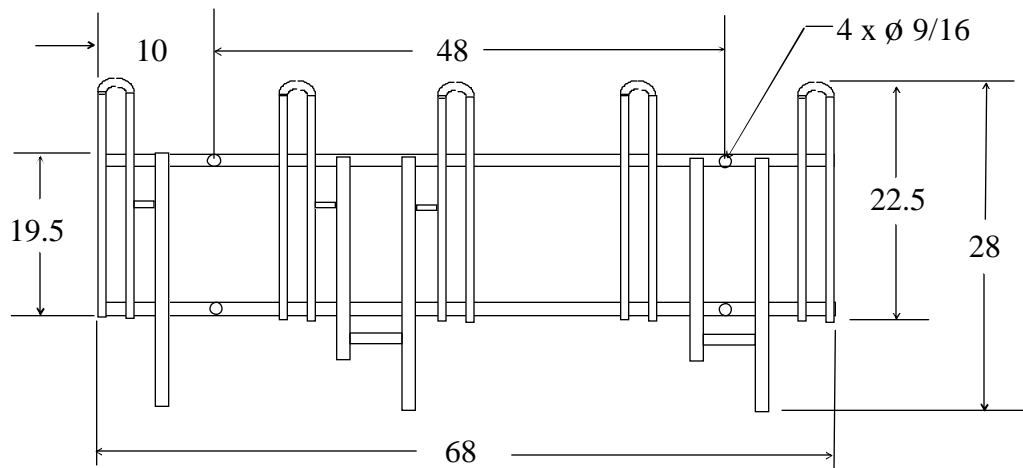
5-bike Capacity: Minimum Footprint with Bikes Inserted: 93" x 72"

Campus Standard 82 Lbs

(allows 12" on each side for handlebars)

Rack with Plaque 102 Lbs

Rack with Plaque Heavy Duty Base 108 Lbs



Materials	Finish	Installation
Hot rolled ASTM A36 solid steel bars welded with GMAW (MIG). Standard Base: 1/8" angle Heavy Base: 3/16" angle Wheel Holders: 1/2" diameter Wheel Troughs: 1/8" angle Locking Bars: 5/8" diameter	Standard finish is Hot Dipped Galvanized for superior durability. Optional powder coat is available with sand blasting, primer, color and clear coat (for additional cost).	This rack is free standing and can function without mounting, however, it is recommended that it be secured on concrete with four tamper-resistant stainless steel anchors. (available from Peak Racks)



Specifications

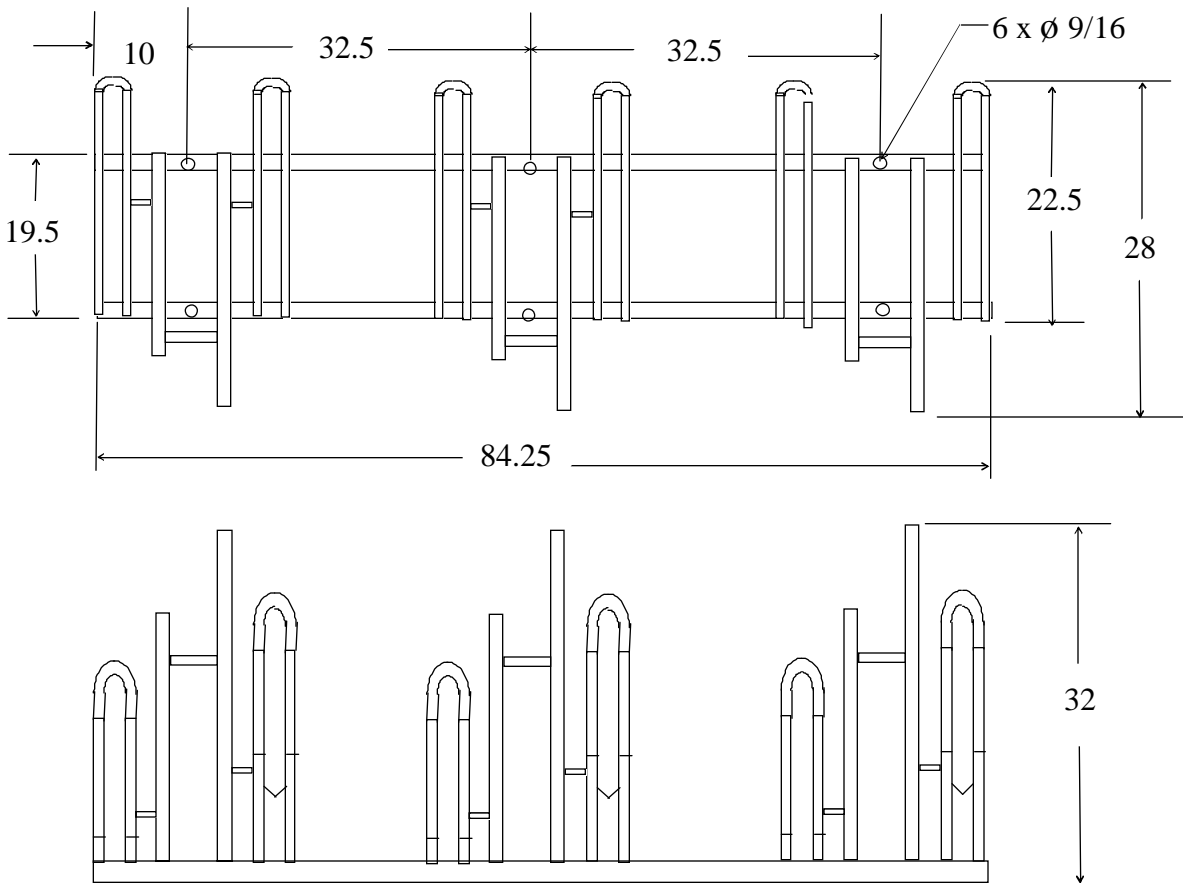
6-bike Capacity: Minimum Footprint with Bikes Inserted: 109" x 72"

Campus Standard 102 Lbs

(allows 12" on each side for handlebars)

Rack with Plaque 120 Lbs

Rack with Plaque Heavy Duty Base 128 Lbs



Materials	Finish	Installation
Hot rolled ASTM A36 solid steel bars welded with GMAW (MIG). Standard Base: 1/8" angle Heavy Base: 3/16" angle Wheel Holders: 1/2" diameter Wheel Troughs: 1/8" angle Locking Bars: 5/8" diameter	Standard finish is Hot Dipped Galvanized for superior durability. Optional powder coat is available with sand blasting, primer, color and clear coat (for additional cost).	This rack is free standing and can function without mounting, however, it is recommended that it be secured on concrete with six tamper-resistant stainless steel anchors. (available from Peak Racks)



Specifications

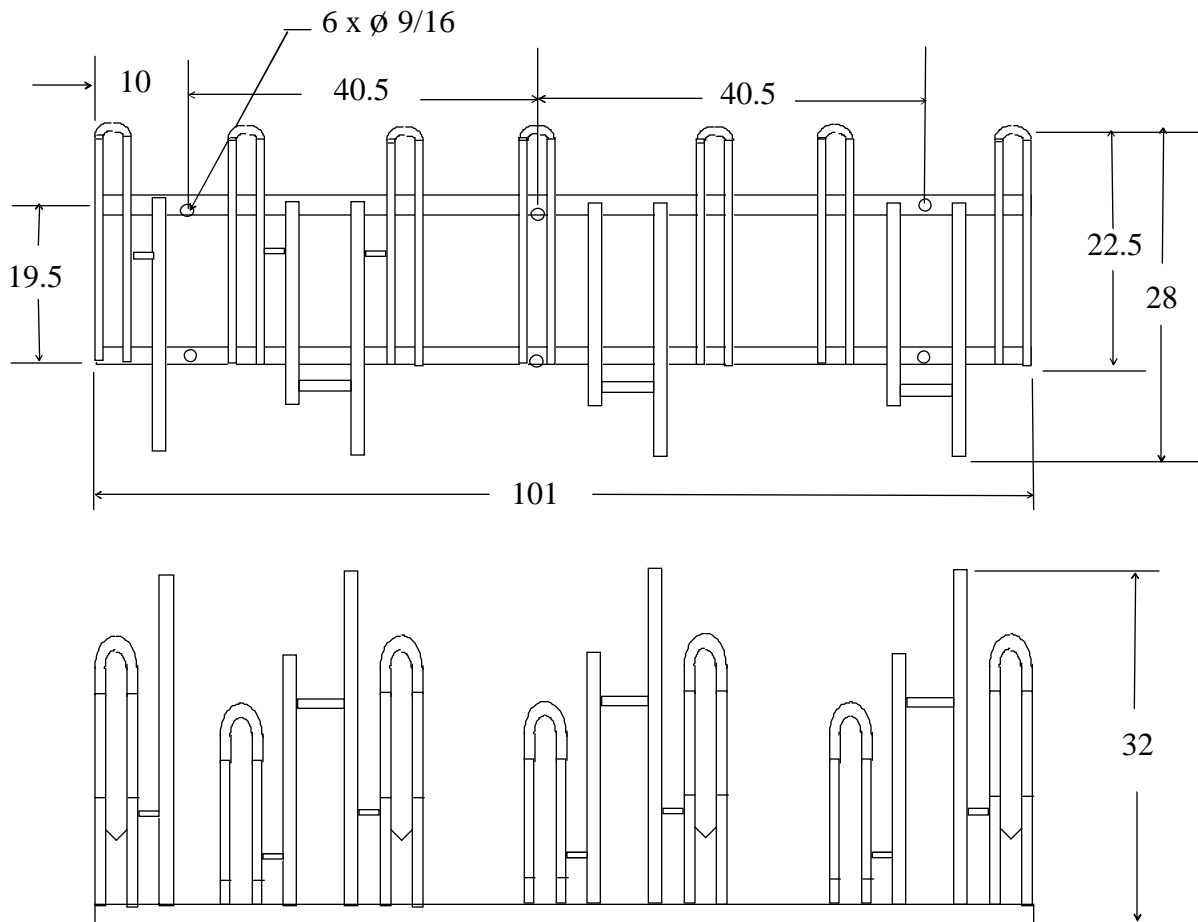
7-bike Capacity: Minimum Footprint with Bikes Inserted: 125" x 72"

Campus Standard 117 Lbs

(allows 12" on each side for handlebars)

Rack with Plaque 141 Lbs

Rack with Plaque Heavy Duty Base 150 Lbs



Materials	Finish	Installation
Hot rolled ASTM A36 solid steel bars welded with GMAW (MIG). Standard Base: 1/8" angle Heavy Base: 3/16" angle Wheel Holders: 1/2" diameter Wheel Troughs: 1/8" angle Locking Bars: 5/8" diameter	Standard finish is Hot Dipped Galvanized for superior durability. Optional powder coat is available with sand blasting, primer, color and clear coat (for additional cost).	This rack is free standing and can function without mounting, however, it is recommended that it be secured on concrete with six tamper-resistant stainless steel anchors. (available from Peak Racks)



Specifications

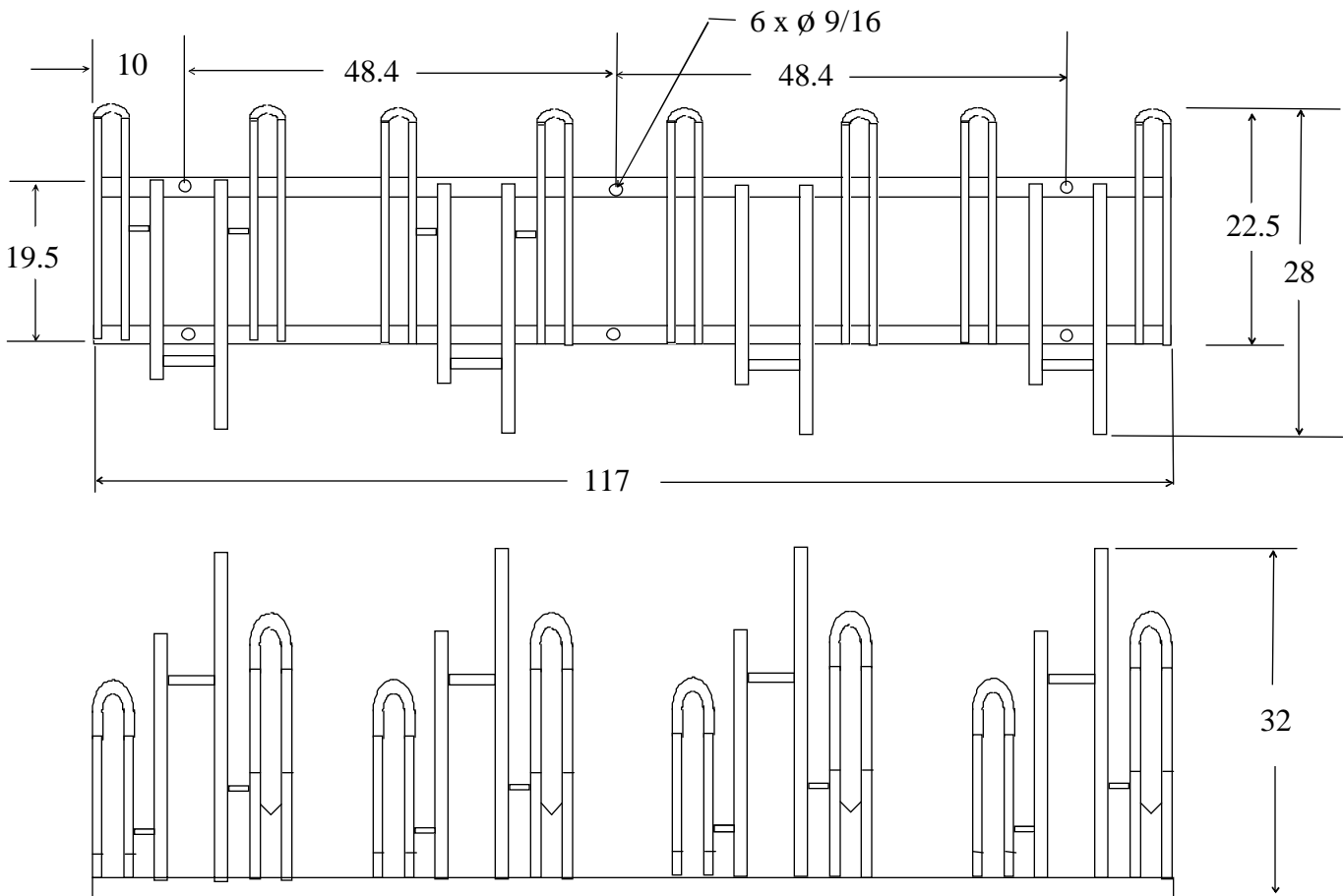
8-bike Capacity: Minimum Footprint with Bikes Inserted: 141" x 72"

Campus Standard 137 Lbs

(allows 12" on each side for handlebars)

Rack with Plaque 158 Lbs

Rack with Plaque Heavy Duty Base 169 Lbs



Materials	Finish	Installation
Hot rolled ASTM A36 solid steel bars welded with GMAW (MIG). Standard Base: 1/8" angle Heavy Base: 3/16" angle Wheel Holders: 1/2" diameter Wheel Troughs: 1/8" angle Locking Bars: 5/8" diameter	Standard finish is Hot Dipped Galvanized for superior durability. Optional powder coat is available with sand blasting, primer, color and clear coat (for additional cost).	This rack is free standing and can function without mounting, however, it is recommended that it be secured on concrete with six tamper-resistant stainless steel anchors. (available from Peak Racks)

