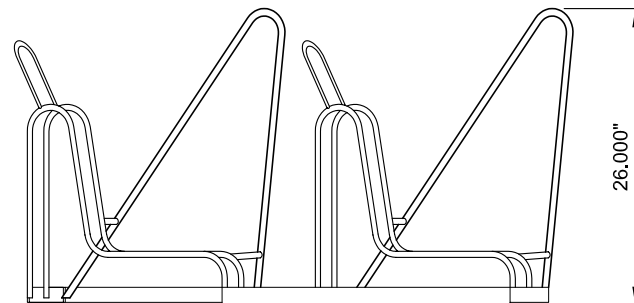
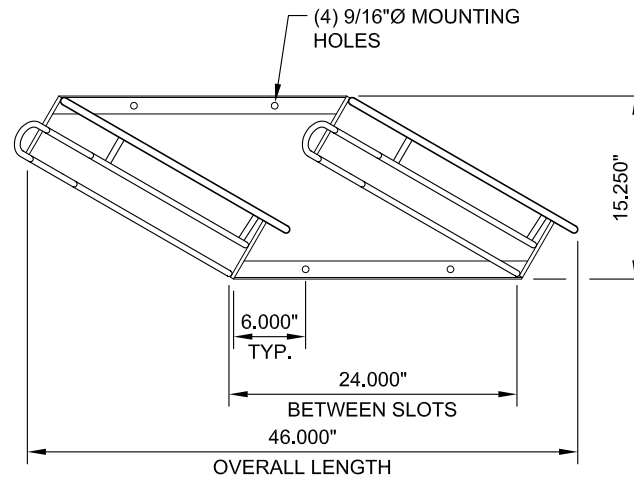


RIGHT HAND ANGLE 2 SLOT RACK



FINISHING OPTIONS:

1. POWDERCOATING: PRIMER, BASE COLOR COAT, CLEAR COAT. STANDARD COLOR OPTIONS: GREEN, BLACK, BROWN
2. HOT DIPPED GALVANIZED; COLOR: SILVER/GRAY

SCALE: 3/4" = 1'-0"