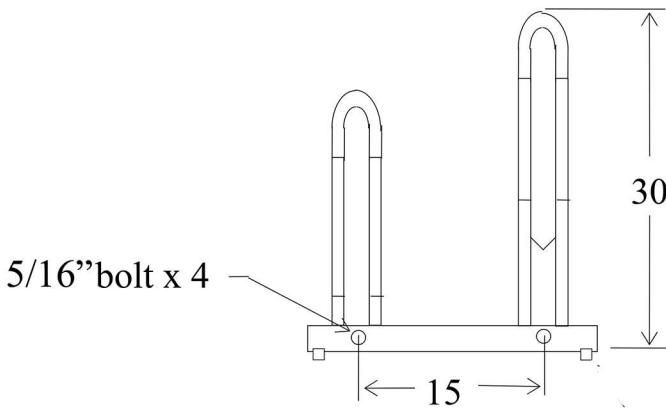
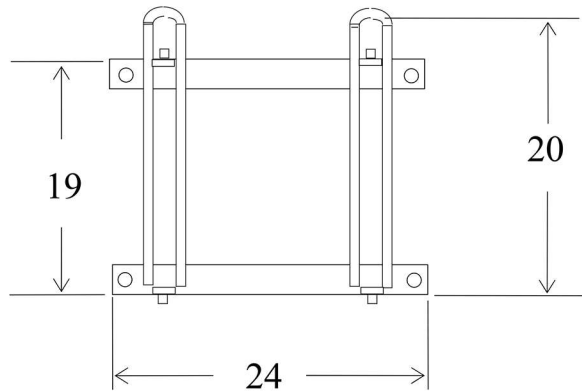




# Specifications

**2-bike Capacity:** Minimum Footprint with Bikes Inserted: 40" x 72"  
 Standard Weight 11.5 Lbs (allows 12" on each side for handlebars)



Materials	Finish	Installation
Hot rolled ASTM A36 solid steel bars welded with GMAW (MIG).  Standard Base: 1.5" x 1.5" x 1/8" Wheel Holders: 1/2" diameter	Black Powdercoat Bare Steel (Unpainted)	Optional hardware available for \$12