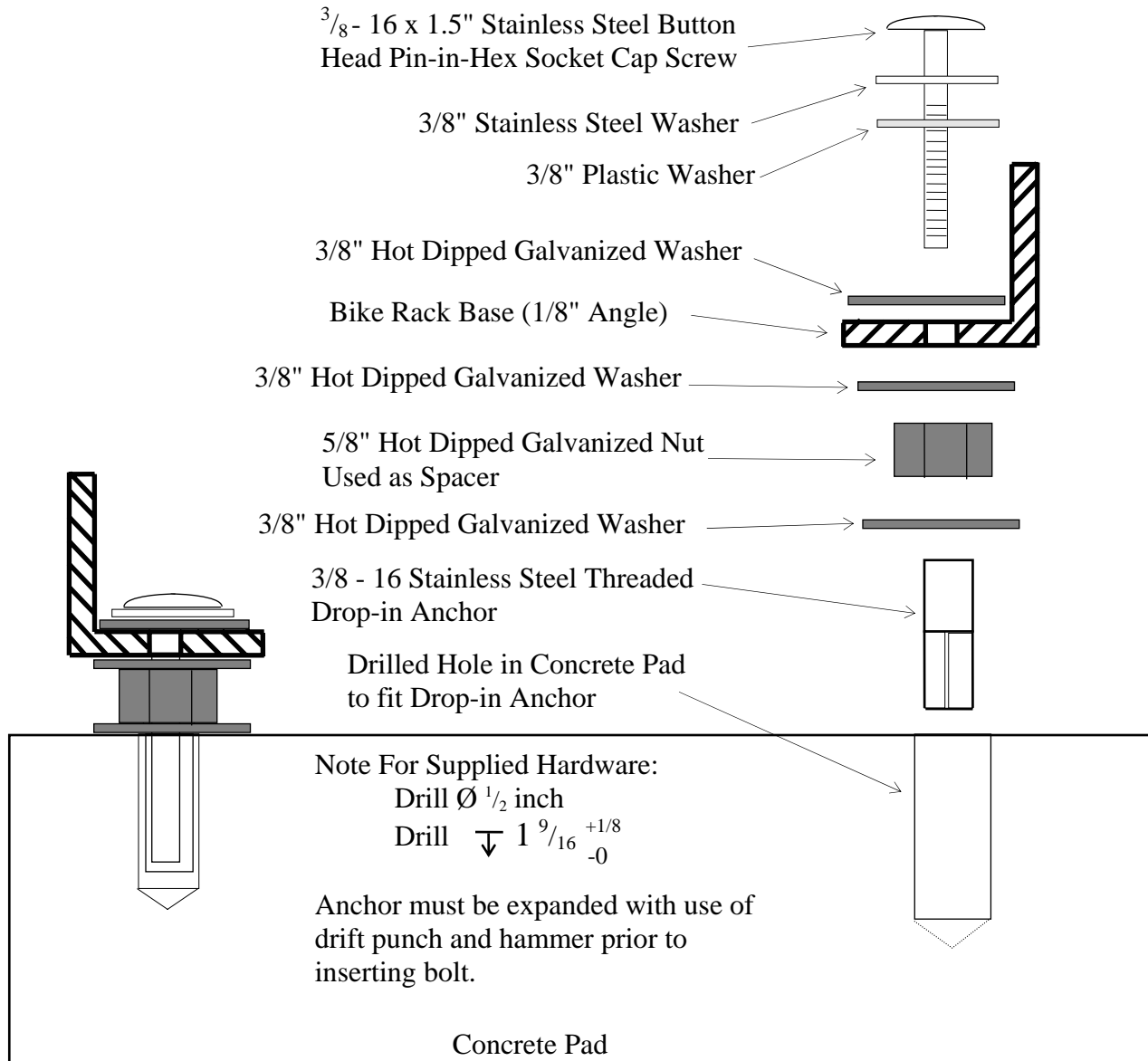
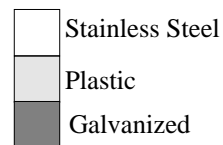


Peak Racks Recommended Mounting Procedure and Instructions for Tamper-resistant Installation

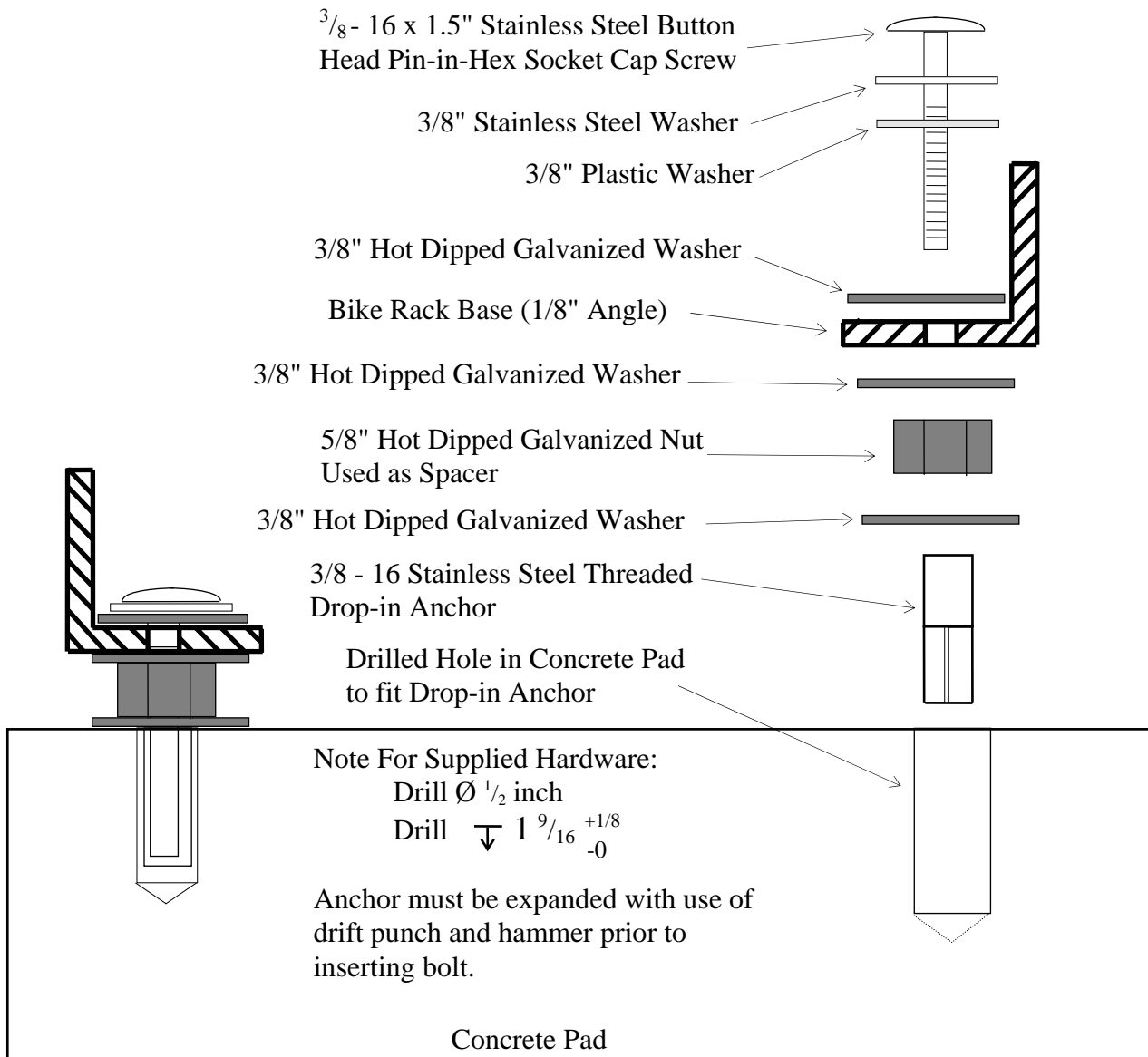


Note: Because drill bit may wander, mark and drill one hole at a time and check rack fit prior to marking and drilling each hole.

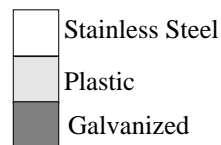


Call 805-235-8812 for assistance or questions

Peak Racks Recommended Mounting Procedure and Instructions for Tamper-resistant Installation



Note: Because drill bit may wander, mark and drill one hole at a time and check rack fit prior to marking and drilling each hole.



Call 805-235-8812 for assistance or questions