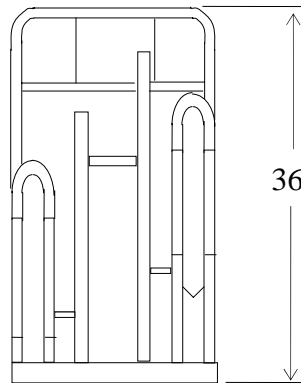
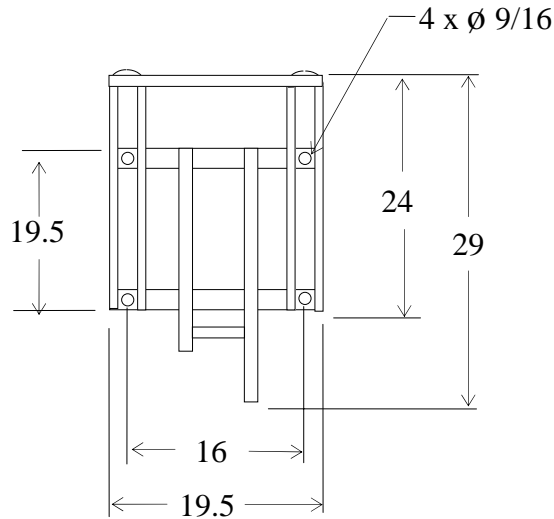




Specifications

2-bike Capacity: Minimum Footprint with Bikes Inserted: 44" x 72"
 41 Lbs (allows 12" on each side for handlebars)

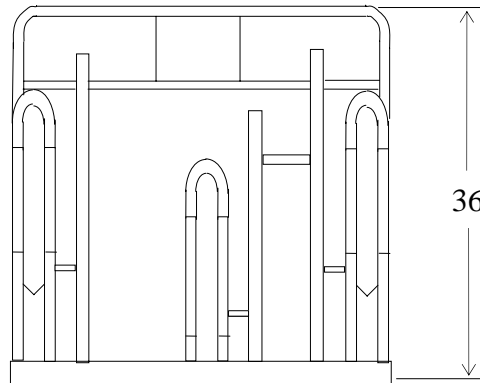
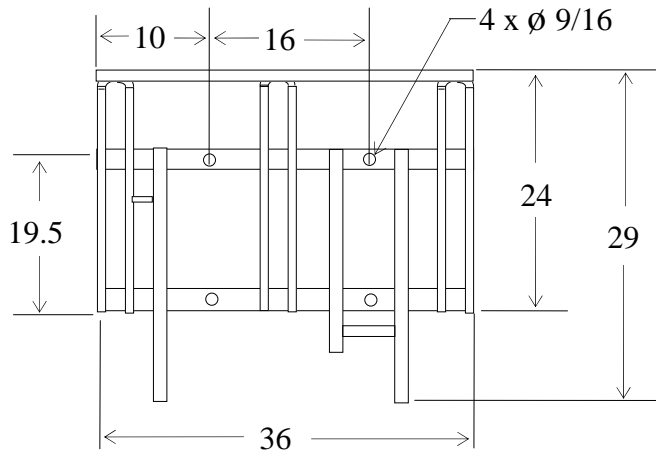


Materials	Finish	Installation
Hot rolled ASTM A36 solid steel bars welded with GMAW (MIG). Standard Base: 1/8" angle Wheel Holders: 1/2" diameter Wheel Troughs: 1/8" angle Back Bar: 1/2" diameter Locking Bars: 5/8" diameter	Finish options are Hot Dipped Galvanized for superior durability or Powder Coat with sand blasting, primer and numerous color options with clear coat.	It is recommended this rack be secured on concrete with four tamper-resistant stainless steel anchors. (available from Peak Racks)



Specifications

3-bike Capacity: Minimum Footprint with Bikes Inserted: 60" x 72"
 62 Lbs (allows 12" on each side for handlebars)

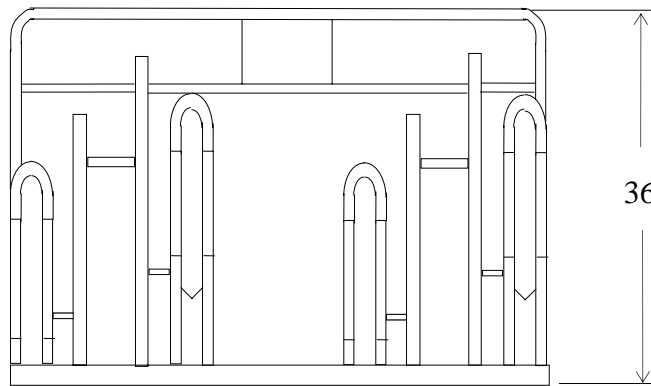
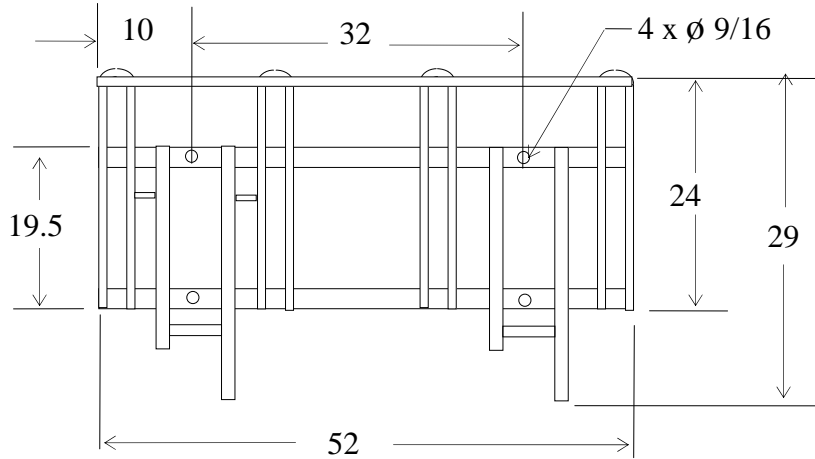


Materials	Finish	Installation
Hot rolled ASTM A36 solid steel bars welded with GMAW (MIG). Standard Base: 1/8" angle Wheel Holders: 1/2" diameter Wheel Troughs: 1/8" angle Back Bar: 1/2" diameter Locking Bars: 5/8" diameter	Finish options are Hot Dipped Galvanized for superior durability or Powder Coat with sand blasting, primer and numerous color options with clear coat.	It is recommended this rack be secured on concrete with four tamper-resistant stainless steel anchors. (available from Peak Racks)



Specifications

4-bike Capacity: Minimum Footprint with Bikes Inserted: 76" x 72"
 81 Lbs (allows 12" on each side for handlebars)

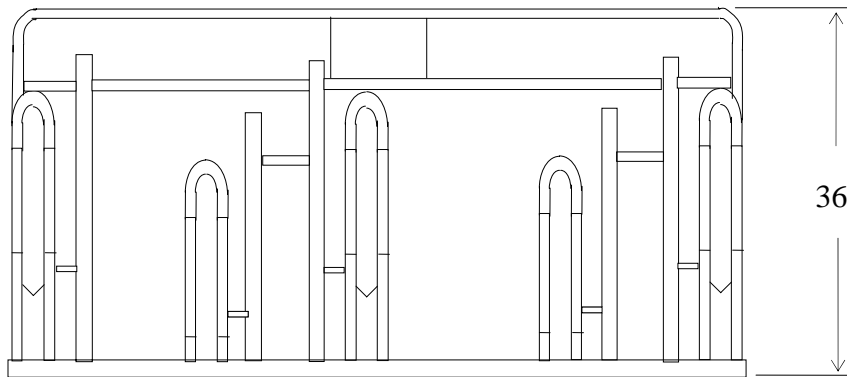
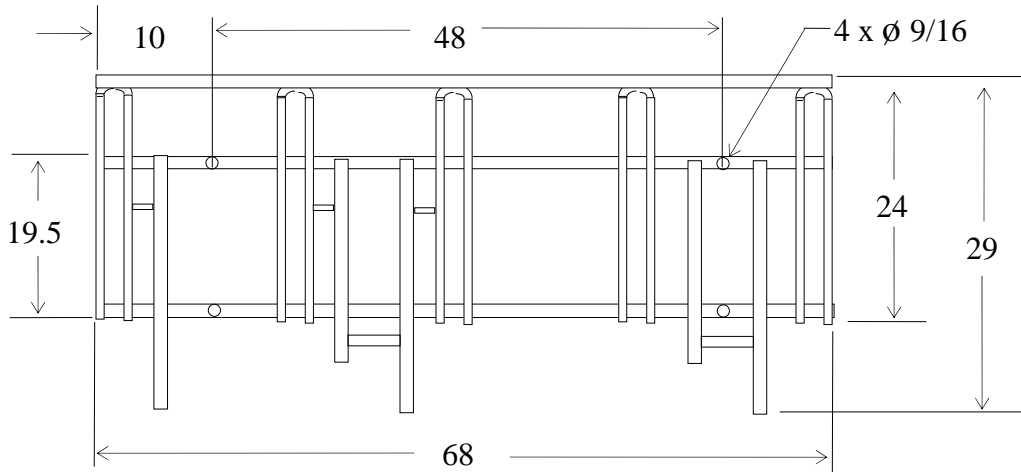


Materials	Finish	Installation
Hot rolled ASTM A36 solid steel bars welded with GMAW (MIG). Standard Base: 1/8" angle Wheel Holders: 1/2" diameter Wheel Troughs: 1/8" angle Back Bar: 1/2" diameter Locking Bars: 5/8" diameter	Finish options are Hot Dipped Galvanized for superior durability or Powder Coat with sand blasting, primer and numerous color options with clear coat.	It is recommended this rack be secured on concrete with four tamper-resistant stainless steel anchors. (available from Peak Racks)



Specifications

5-bike Capacity: Minimum Footprint with Bikes Inserted: 93" x 72"
 102 Lbs (allows 12" on each side for handlebars)

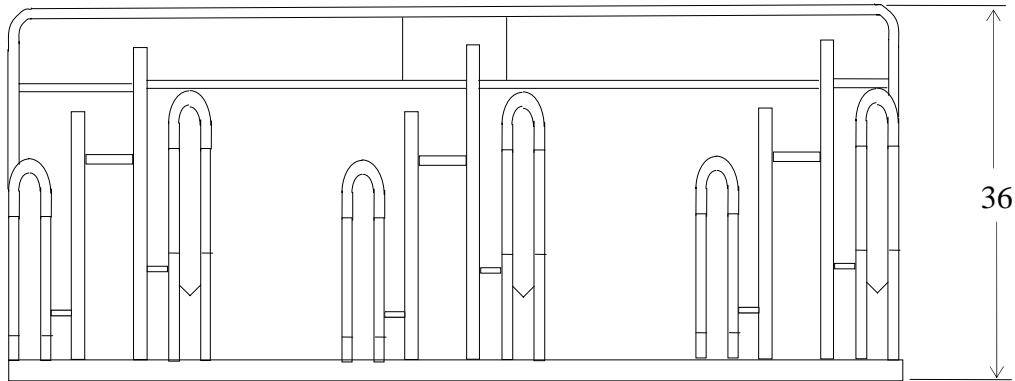
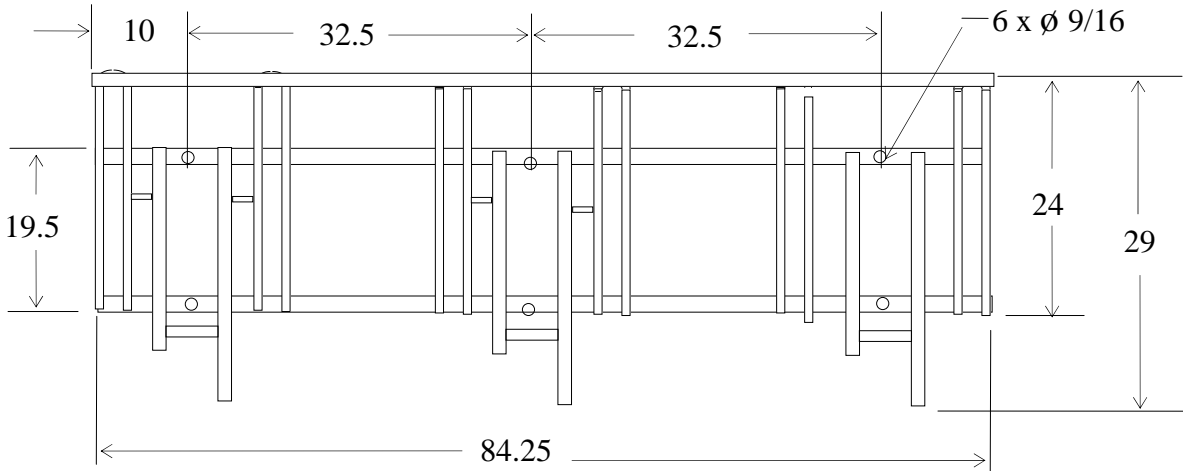


Materials	Finish	Installation
Hot rolled ASTM A36 solid steel bars welded with GMAW (MIG). Standard Base: 1/8" angle Wheel Holders: 1/2" diameter Wheel Troughs: 1/8" angle Back Bar: 1/2" diameter Locking Bars: 5/8" diameter	Finish options are Hot Dipped Galvanized for superior durability or Powder Coat with sand blasting, primer and numerous color options with clear coat.	It is recommended this rack be secured on concrete with four tamper-resistant stainless steel anchors. (available from Peak Racks)



Specifications

6-bike Capacity: Minimum Footprint with Bikes Inserted: 109" x 72"
 121 Lbs (allows 12" on each side for handlebars)

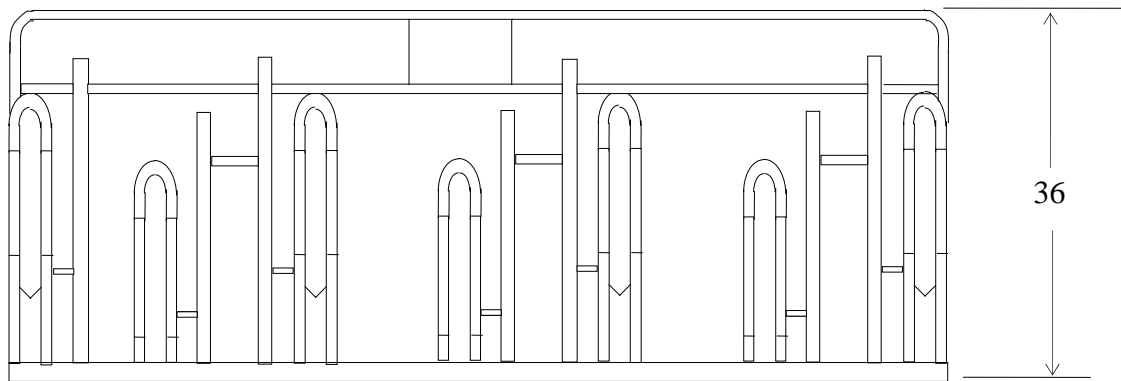
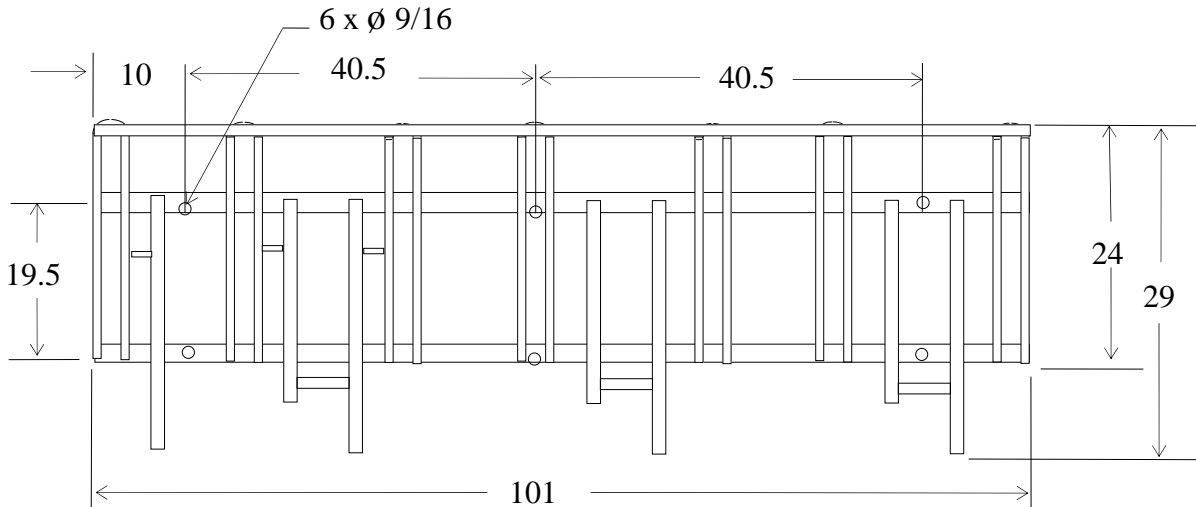


Materials	Finish	Installation
Hot rolled ASTM A36 solid steel bars welded with GMAW (MIG). Standard Base: 1/8" angle Wheel Holders: 1/2" diameter Wheel Troughs: 1/8" angle Back Bar: 1/2" diameter Locking Bars: 5/8" diameter	Finish options are Hot Dipped Galvanized for superior durability or Powder Coat with sand blasting, primer and numerous color options with clear coat.	It is recommended this rack be secured on concrete with six tamper-resistant stainless steel anchors. (available from Peak Racks)



Specifications

7-bike Capacity: Minimum Footprint with Bikes Inserted: 125" x 72"
 141 Lbs (allows 12" on each side for handlebars)

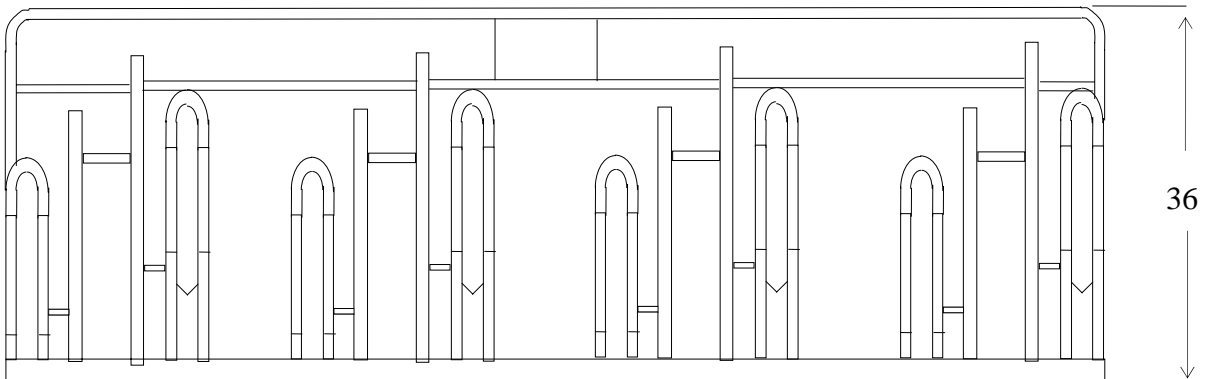
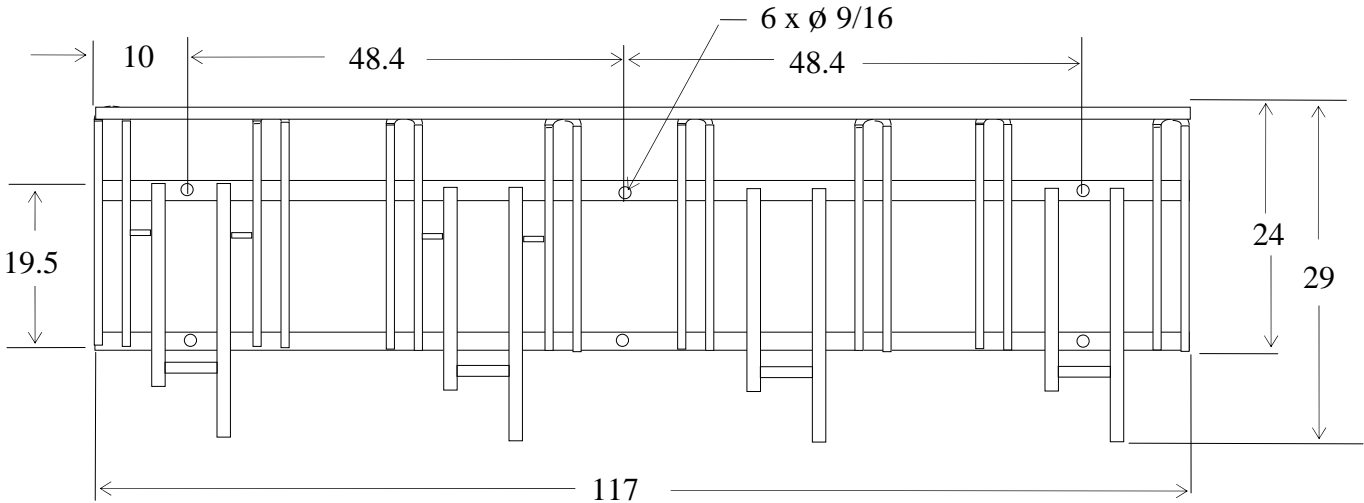


Materials	Finish	Installation
Hot rolled ASTM A36 solid steel bars welded with GMAW (MIG). Standard Base: 1/8" angle Wheel Holders: 1/2" diameter Wheel Troughs: 1/8" angle Back Bar: 1/2" diameter Locking Bars: 5/8" diameter	Finish options are Hot Dipped Galvanized for superior durability or Powder Coat with sand blasting, primer and numerous color options with clear coat.	It is recommended this rack be secured on concrete with six tamper-resistant stainless steel anchors. (available from Peak Racks)



Specifications

8-bike Capacity: Minimum Footprint with Bikes Inserted: 141" x 72"
 158 Lbs (allows 12" on each side for handlebars)



Materials	Finish	Installation
Hot rolled ASTM A36 solid steel bars welded with GMAW (MIG). Standard Base: 1/8" angle Wheel Holders: 1/2" diameter Wheel Troughs: 1/8" angle Back Bar: 1/2" diameter Locking Bars: 5/8" diameter	Finish options are Hot Dipped Galvanized for superior durability or Powder Coat with sand blasting, primer and numerous color options with clear coat.	It is recommended this rack be secured on concrete with six tamper-resistant stainless steel anchors. (available from Peak Racks)